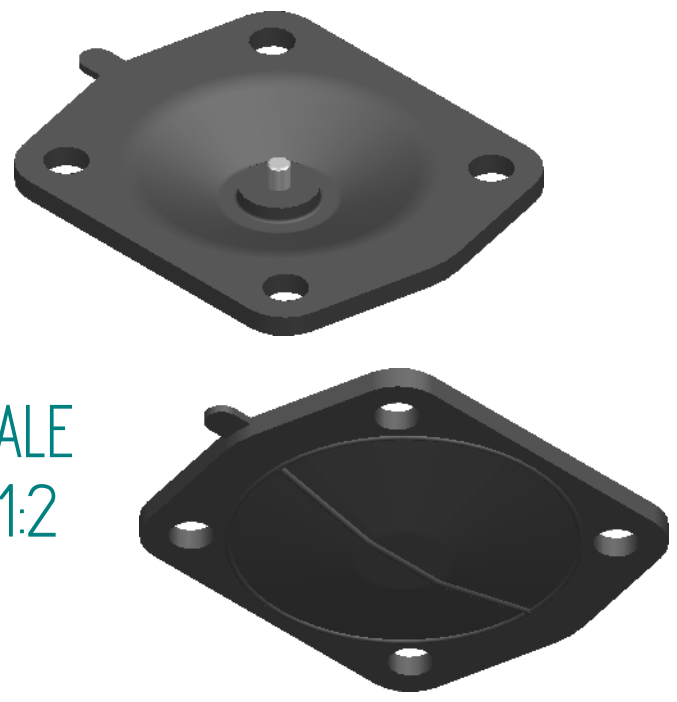


SCALE  
1:2



Replacement Diaphragm for :-  
OEM PART = 41285 or 46607  
USED ON 2" (DN50) Diaphragm Valve

REVISION HISTORY			
REV	DESCRIPTION	DATE	APPROVED

Ø 12.5 (4 HOLES)

1/4" - 20 UNC (INSERT SCREW)

	NAME	DATE
DRAWN	M.MC KEON	08/21/14
CHECKED		
<b>Material - EPDM</b>		
Complies with CFR 177.2600 and Conforms to USP Class VI Biological Reactivity Tests Section #87 and #88		



TITLE		
DD20-IE7		
SIZE A	FOOT PRINT DIMENSIONS	REV B
FILE NAME: DD20-IE7.dft		
SCALE: 1:1	ECC:0605	SHEET 1 OF 1

Disclaimer - Diaphragm Direct® does not manufacture, represent, nor sell OEM valves or diaphragms manufactured by any other company. Diaphragm Direct® brand diaphragms are not sponsored by any other manufacturers. Any name, model, part number, brand, image, material or referral is for descriptive purposes only. Diaphragm Direct® brand replacement diaphragms are guaranteed to fit OEM equipment and meet or exceed OEM specifications. Diaphragm Direct® brand replacement diaphragms are covered by the standard Diaphragm Direct® limited product warranty.